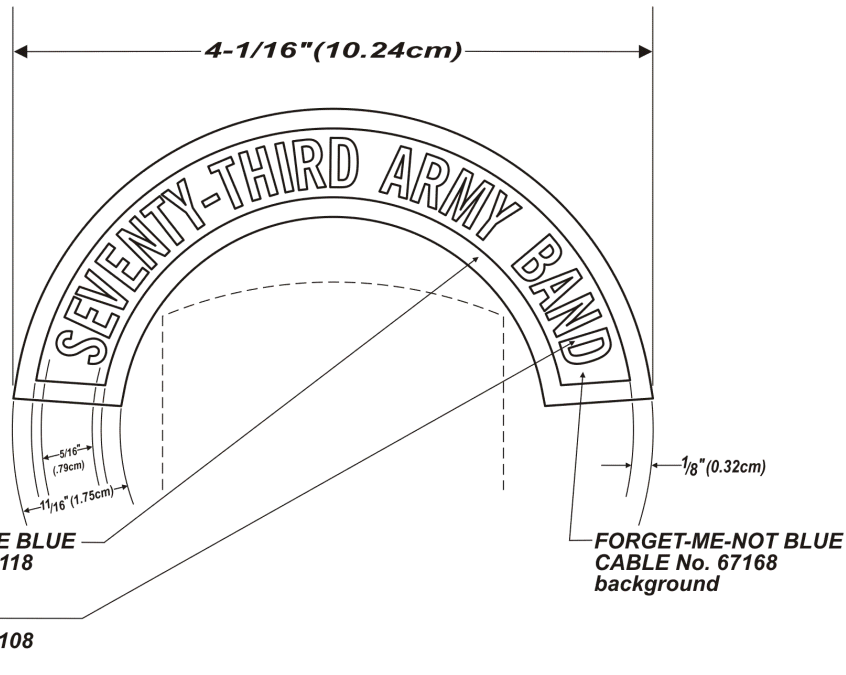


FOR SUBDUED TAB

ACU:
 BLUE AND YELLOW AREAS TO BE BLACK 67138.
 LIGHT BLUE AREA TO BE FOLIAGE GREEN 67202.

REVISIONS

LTR	DESCRIPTION	DATE	APPROVED
ALL	STITCH COUNT ADDED; SUBDUED NOTE REVISED.	14 APR 2008	pm SAO TLC <i>Charles V. Mugno</i> CHARLES V. MUGNO DIRECTOR



DESIGNED FOR OVEREDGE STITCHING

STITCH COUNT

4872 STITCHES (minimum)
90/2 DENIER
8/4 SPAN

UNLESS OTHERWISE SPECIFIED DIMENSIONS ARE IN INCHES
 TOLERANCES ON FRACTIONS DECIMALS ANGLES

MATERIALS:
 TO BE MANUFACTURED IN ACCORDANCE WITH MIL-DTL-14652

EXAMINED	TLC		
CHECKED	pm	SAO	
PREPARED	CA		
APPROVED	<i>Charles V. Mugno</i> CHARLES V. MUGNO DIRECTOR		

THE INSTITUTE OF HERALDRY, DEPARTMENT OF THE ARMY
 9325 GUNSTON RD. S-113 FORT BELVOIR, VA 22060-5579

SHOULDER SLEEVE INSIGNIA

73D ARMY BAND

VIRGIN ISLANDS ARMY NATIONAL GUARD

SIZE CONTROL IDENT. NO

A 22571 A - 1 - 957

SCALE FULL DATE **25 JANUARY 2008**